



**ULTRAFILTER**  
THE FILTRATION MANUFACTURER

*Kronsbein ultrafilter*®



**ultrafilter high performance  
industrial filter**

# ultrafilter high performance industrial filter

## ultra.filter high performance industrial filter

- ultrafilter high performance filter guarantee pure and safe compressed air filtration.
- The new ultrafilter high performance filter elements achieve an efficiency of 99,99998 % thank to the unique combination of binder free nanofibre and pleating technology.

## Features and Benefits

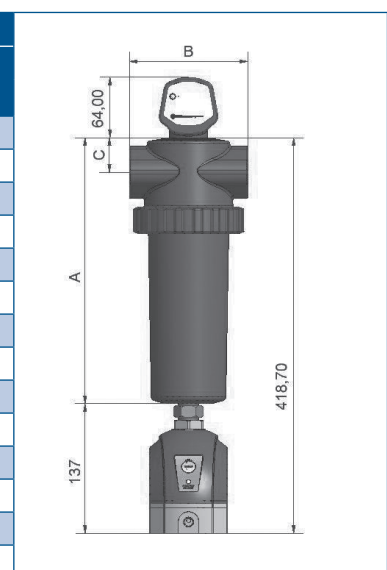
- Modular concept: Robust flange connection enables secure and simple combination of filter housings with one sealing surface.
- three-part filter housing
- higher filtration efficiency with ultrafilter high performance filters
- Flexible wall mounting with robust wall brackets
- minimal pressure loss due to improved flow technology
- Long life thanks to epoxy resin coating
- Conical design and smooth lower filter zone ensures no condensate is transferred

- Integrated shut-off valve so that condensate drain can be maintained without interruption of compressed air supply
- Automatically operating, level controlled condensate drain without loss of compressed air
- 10 years working guarantee

Features	Benefit
Three-part housing	Push and turn technology ensures easy exchange of filter element
Optimized housing	Minimal pressure loss
Acoustic alarm signal	Maximum safety on element maintenance
Energy cost monitor	shows time to exchange filter when most economical
Modular concept	easy and safe connection of filter housings
Electronically controlled drain	drains without loss of compressed air
Integrated shut-off valve	maintenance of drain without interruption of compressed air supply

Technical data	
max. operating pressure:	16 bar
max. operating temperature:	120°C
Material housing:	Aluminium
Surface finish:	epoxy resin
Energy cost monitor	Plastic
Sealing	Perbunan
Electronically controlled aluminium drain	Aluminium and Plastic
Screw locking ring	Aluminium

Type	volume flow		connection G/DN	dimensions in mm			Filter element	
	nom. m <sup>3</sup> /h	max. m <sup>3</sup> /h		a	b	c	Size	qty.
0002	20	40	G 1/4	202	95	23	02/05	1
0004	40	60	G 3/8	202	95	23	03/05	1
0006	60	90	G 3/8	202	95	23	03/10	1
0009	90	120	G 1/2	230	95	23	04/10	1
0012	120	180	G 1/2	281,5	125	36,5	04/20	1
0018	180	270	G 3/4	281,5	125	36,5	05/20	1
0027	270	360	G 1	281,5	125	36,5	05/25	1
0036	360	480	G 1 1/4	339,5	125	36,5	07/25	1
0048	480	720	G 1 1/2	422	175	53,4	07/30	1
0072	720	1080	G 2	422	175	53,4	10/30	1
0108	1080	1440	G 2	563	175	53,4	15/30	1
0144	1440	1920	G 2 1/2	724	210	66	20/30	1
0192	1920	2880	G 3	974	210	66	30/30	1
0288	2880	4320	G 3	981	240	72	30/50	1



Technical alterations reserved.



ultrafilter gmbh

Otto-Hahn-Str. 1 • 40721 Hilden • Germany

Tel: +49 (0) 21 03.33 36 0 • Fax +49(0)21 03.33 36 36

e-Mail: info@ultra-filter.de • www.ultra-filter.de