



Activated carbon adsorber AKC.

The activated carbon adsorber is designed to ensure oil- and odour-free compressed air.

Compressed air is led through and activated carbon bed and ensures a residual oil content of $< 0,03$ ppm.

**Ultra.sorp AKC
Types 0050 to 8750**

AKC activated carbon adsorber

Features:	Benefits:
Activated carbon adsorber.	Removal of hydrocarbons and vapour incl. oil indicator.
Largely sized diameters	Low flow speed, low differential pressure. No rise of abrasion of activated carbon.
Generously sized amount of activated carbon.	Extended lifetime of > 10000 operating hours.
Guaranteed residual oil content.	Oil indicator assures a residual oil content of < 0,003 ppm

Operating pressure:	
AKC 0050 - 1000	min 4 bar (g), max. 16 bar (g)
AKC 1350 - 8750	min 4 bar (g), max 10 bar (g)

Residual oil content:
Residual oil content: < 0.003 ppm
The residual oil content depends on the inlet conditions. A residual oil content of < 0.003 ppm is related to an operating pressure of 7 bar (g), 35 °C inlet temperature, and pre-dried compressed air with a dewpoint of -40 °C, as well as a prefiltration of particles < 0.03 mg/m ³ .

Medium
Compressed air/ nitrogen

Medium temperature
max. +50 °C

Ambient temperature
min. +4 °C, max. +50 °C

Power supply:
230 V/ 115 V AC/ 50 – 60 Hz, 24 V DC

Power consumption:
approx. 40 W

Pressure vessel – design, manufacture, testing:
Type 3500 - 8750: acc. to 87/404/EEC Filter: acc. to 97/23/EC

Declaration of conformity:
Type 0050 – 1000: acc. to 73/23/EEC

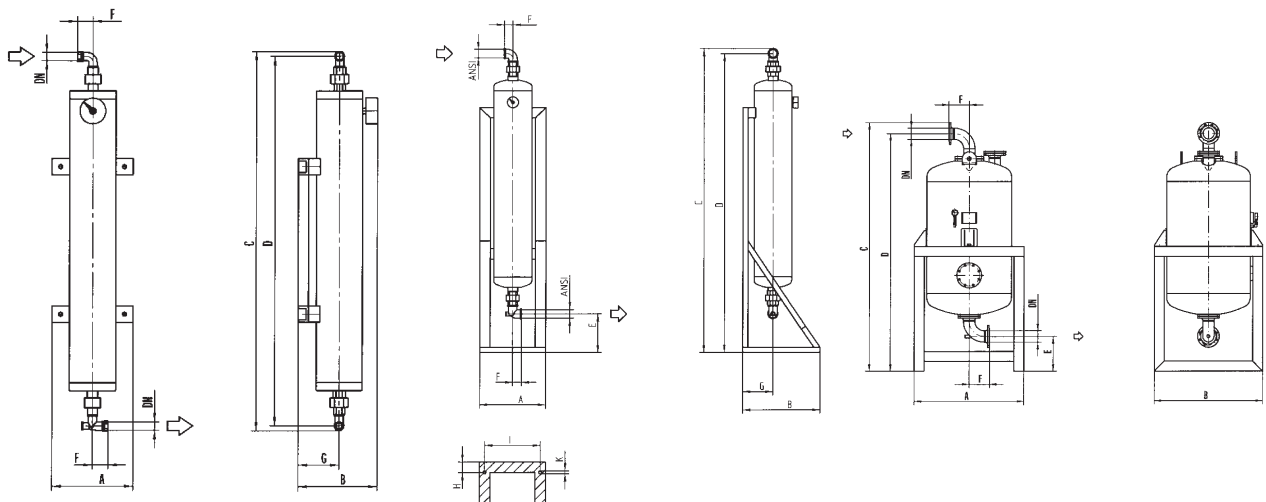
Operating pressure	bar	4	5	6	7	8	9	10	11	12	13	14	15	16
Conversion factor	K1	0,62	0,75	0,88	1	1,12	1,25	1,38	1,50	1,62	1,75	1,88	2,0	2,13

inlet temperature °C	20	25	30	35	40	45	50
conv. factor	1,0	1,0	1,0	1,0	0,9	0,8	0,5

AKC activated carbon adsorber

Technical data AKC

type AKC	volume flow at 7 bar g m ³ /h ¹⁾ nom.	connection DN	activated carbon filling kg	weight in kg	height in mm	width in mm	depth in mm
0050	50	3/4"	5	24	1180	290	350
0080	80	3/4"	7	29	1520	320	350
0100	100	1"	10	36	1455	320	350
0150	150	1"	14	41	1905	320	350
0175	175	1"	17,5	66	1770	380	450
0225	225	1 1/2"	21	70	1770	360	450
0300	300	1 1/2"	30	82	1750	440	450
0375	375	1 1/2"	40	95	2090	440	450
0550	550	2"	52	161	1990	550	600
0650	650	2"	62	180	2015	550	600
0850	850	2"	81	190	2120	600	600
1000	1000	2"	99	201	2005	600	600
1350	1350	DN 80	107	331	2550	700	700
1650	1650	DN 80	124	395	2360	800	800
1950	1950	DN 100	171	459	2580	850	850
2250	2250	DN 100	216	585	2600	950	950
2750	2750	DN 100	232	680	2690	1000	100
3500	3500	DN 100	265	975	2695	1150	1150
4000	4000	DN 150	310	1105	2989	1200	1200
5000	5000	DN 150	357	1320	3040	1300	1300
6000	6000	DN 150	452	1625	3080	1400	1400
7000	7000	DN 150	546	1975	3085	1500	1500
8750	8750	DN 200	711	2750	3318	1700	1700



Technical alterations reserved.



ultrafilter gmbh

Otto-Hahn-Str. 1 • 40721 Hilden • Germany

Tel: +49 (0) 21 03.33 36 13 • Fax +49(0)21 03.33 36 36

e-Mail: info@ultra-filter.de • www.ultra-filter.de